

Specifications

MODELS	AWP™-20S		AWP™-25S		AWP™-30S	
MEASUREMENTS	Metric	US	Metric	US	Metric	US
Working height*	8.12 m	26 ft 1 in	9.57 m	30 ft 10 in	11 m	35 ft 6 in
Platform height	6.12 m	20 ft 1 in	7.57 m	24 ft 10 in	9 m	29 ft 6 in
A Height - stowed (Standard, Narrow)	1.98 m	6 ft 6 in	1.98 m	6 ft 6 in	1.98 m	6 ft 6 in
stowed (RT)	2.01 m	6 ft 7 in	2.01 m	6 ft 7 in	2.01 m	6 ft 7 in
B tilted back** (Standard)	1.78 m	5 ft 10 in	1.84 m	6 ft 0.3 in	1.89 m	6 ft 2.5 in
C Length - stowed (Standard)	1.24 m	4 ft 1 in	0.31 m	4 ft 3.5 in	1.35 m	14 ft 5 in
stowed (Narrow)	1.27 m	4 ft 2 in	1.32 m	4 ft 4 in	1.40 m	4 ft 7 in
stowed (RT)	1.60 m	5 ft 3 in	1.60 m	5 ft 3 in	1.60 m	5 ft 3 in
D Length - tilted back**	2.11 m	6 ft 11 in	2.11 m	6 ft 11 in	2.11 m	6 ft 11 in
E Width (Standard)	0.74 m	2 ft 5 in	0.74 m	2 ft 5 in	0.74 m	2 ft 5 in
Width (Narrow)	0.56 m	1 ft 10 in	0.56 m	1 ft 10 in	0.56 m	1 ft 10 in
Width (RT)	0.76 m	2 ft 6 in	0.76 m	2 ft 6 in	0.76 m	2 ft 6 in
PRODUCTIVITY						
Lift capacity	159 kg	350 lbs	159 kg	350 lbs	159 kg	350 lbs
Indoor:						
F G Outrigger footprint (l/w) (Standard)	1.55 x 1.35 m	5 ft 1 in x 4 ft 5 in	1.75 x 1.55 m	5 ft 9 in x 5 ft 1 in	1.93 x 1.73 m	6 ft 4 in x 5 ft 8 in
Outrigger footprint (l/w) (Narrow/RT)	1.80 x 1.47 m	5 ft 11 in x 4 ft 10 in	1.80 x 1.47 m	5 ft 11 in x 4 ft 10 in	2.11 x 1.88 m	6 ft 11 in x 6 ft 2 in
H Corner access*** (Standard)	0.38 m	1 ft 3 in	0.48 m	1 ft 7 in	0.56 m	1 ft 10 in
Corner access*** (Narrow/RT)	0.53 m	1 ft 9 in	0.51 m	1 ft 8 in	0.70 m	2 ft 3.5 in
I J Wall access front/side (Standard)	0.15 x 0.33 m	6 in x 1 ft 1 in	0.18 x 0.43 m	7 in x 1 ft 5 in	0.20 x 0.53 m	8 in x 1 ft 9 in
Wall access front/side (Narrow/RT)	0.30 x 0.43 m	1 ft x 1 ft 5 in	0.25 x 0.43 m	10 in x 1 ft 5 in	0.23 x 0.51 m	9 in x 1 ft 8 in
Outdoor:						
F G Outrigger footprint (l/w) (Standard)	2.46 x 2.26 m	8 ft 1 in x 7 ft 5 in	2.97 x 2.79 m	9 ft 9 in x 9 ft 2 in	2.97 x 2.79 m	9 ft 9 in x 9 ft 2 in
Outrigger footprint (l/w) (Narrow/RT)	2.84 x 2.84 m	9 ft 4 in x 9 ft 4 in	2.84 x 2.84 m	9 ft 4 in x 9 ft 4 in	3.30 x 3.45 m	10 ft 10 in x 11 ft 4 in
H Corner access*** (Standard)	0.48 m	1 ft 7 in	0.76 m	2 ft 6 in	0.69 m	2 ft 3 in
Corner access*** (Narrow/RT)	1.37 m	4 ft 6 in	1.32 m	4 ft 4 in	1.55 m	5 ft 1 in
I J Wall access front/side (Standard)	0.48 x 0.81 m	1 ft 7 in x 2 ft 8 in	0.74 x 1.07 m	2 ft 5 in x 3 ft 6 in	0.69 x 1.07 m	2 ft 3 in x 3 ft 6 in
Wall access front/side (Narrow/RT)	0.81 x 1.12 m	2 ft 8 in x 3 ft 8 in	0.74 x 1.12 m	2 ft 5 in x 3 ft 8 in	0.89 x 1.40 m	2 ft 11 in x 4 ft 7 in
Platform Dimensions: (l/w/h)						
Standard	0.69 x 0.66 x 1.14 m	27 x 26 x 44.75 in	0.69 x 0.66 x 1.14 m	27 x 26 x 44.75 in	0.69 x 0.66 x 1.14 m	27 x 26 x 44.75 in
Gated standard	0.69 x 0.66 x 1.14 m	27 x 26 x 44.75 in	0.69 x 0.66 x 1.14 m	27 x 26 x 44.75 in	0.69 x 0.66 x 1.14 m	27 x 26 x 44.75 in
Gated ultra narrow	0.56 x 0.46 x 1.14 m	22 x 18 x 44.75 in	0.56 x 0.46 x 1.14 m	22 x 18 x 44.75 in	0.56 x 0.46 x 1.14 m	22 x 18 x 44.75 in
Gated narrow	0.66 x 0.51 x 1.14 m	26 x 20 x 44.75 in	0.66 x 0.51 x 1.14 m	26 x 20 x 44.75 in	0.66 x 0.51 x 1.14 m	26 x 20 x 44.75 in
Standard fiberglass	0.74 x 0.67 x 1.10 m	29 x 26.5 x 43.5 in	0.74 x 0.67 x 1.10 m	29 x 26.5 x 43.5 in	0.74 x 0.67 x 1.10 m	29 x 26.5 x 43.5 in
Narrow fiberglass	0.66 x 0.56 x 1.10 m	26 x 22 x 43.5 in	0.66 x 0.56 x 1.10 m	26 x 22 x 43.5 in	0.66 x 0.56 x 1.10 m	26 x 22 x 43.5 in
POWER						
Power source - AC or DC models	12V DC / 220/50-60 Hz AC		12V DC / 220/50-60 Hz AC		12V DC / 220/50-60 Hz AC	
WEIGHT						
AC models (Standard)	307 kg	677 lbs	330 kg	727 lbs	352 kg	777 lbs
AC models (Narrow/RT)	99 kg	660 lbs	315 kg	2694 lbs	331 kg	729 lbs
DC models (Standard)	347 kg	766 lbs	371 kg	817 lbs	393 kg	867 lbs
DC models (Narrow/RT)	340 kg	749 lbs	354 kg	780 lbs	371 kg	818 lbs
Air motor (Standard)	_____	_____	_____	_____	352 kg	777 lbs
Air motor (Narrow/RT)	_____	_____	_____	_____	331 kg	729 lbs
STANDARDS COMPLIANCE						
	ANSI A92.3, CSA B354.1, CE Compliance, AS 1418.10					

* The metric equivalent of working height adds 2 m to platform height. U.S. adds 6 ft to platform height.

** Tilt back height with standard platform. For tilt back height with other platforms, please contact your sales representative.

*** Corner of platform top rail to corner of wall with ability to rotate leveling jack handle.

Specifications

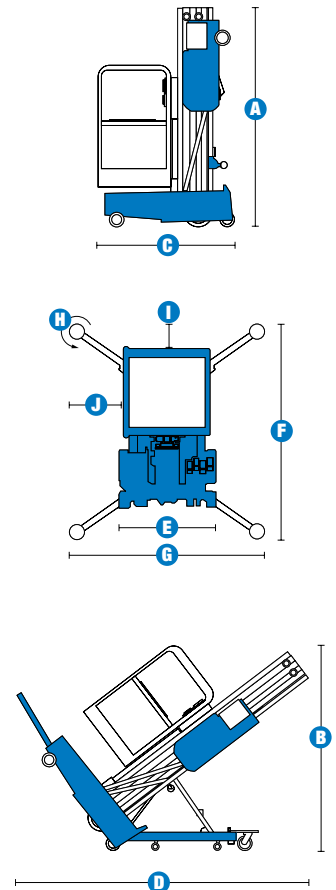
MODELS	AWP™-36S		AWP™-40S	
	Metric	US	Metric	US
Working height*	13.10 m	42 ft 5 in	14.29 m	46 ft 4 in
Platform height	11.10 m	36 ft 5 in	12.29 m	40 ft 4 in
A Height - stowed (Standard, Narrow) stowed (RT)	2.78 m	9 ft 1.5 in	2.78 m	9 ft 1.5 in
B tilted back** (Standard)	1.92 m	6 ft 3.5 in	1.98 m	6 ft 6 in
C Length - stowed (Standard) stowed (Narrow) stowed (RT)	1.40 m	4 ft 7 in	1.42 m	4 ft 8 in
D Length - tilted back**	2.97 m	9 ft 9 in	2.97 m	9 ft 9 in
E Width (Standard) Width (Narrow) Width (RT)	0.74 m	2 ft 5 in	0.74 m	2 ft 5 in

PRODUCTIVITY				
Lift capacity	159 kg	350 lbs	136 kg	300 lbs
Indoor:				
F G Outrigger footprint (l/w) (Standard)	2.12 x 1.91 m	6 ft 11 in x 6 ft 3 in	2.26 x 2.06 m	7 ft 5 in x 6 ft 9 in
Outrigger footprint (l/w) (Narrow/RT)	_____	_____	_____	_____
H Corner access*** (Standard)	0.74 m	2 ft 5 in	0.79 m	2 ft 7 in
Corner access*** (Narrow/RT)	_____	_____	_____	_____
I J Wall access front/side (Standard)	0.36 x 0.64 m	1 ft 2 in x 2 ft 1 in	0.38 x 0.71 m	1 ft 3 in x 2 ft 4 in
Wall access front/side (Narrow/RT)	_____	_____	_____	_____
Outdoor:				
F G Outrigger footprint (l/w) (Standard)	3.53 x 3.33 m	11 ft 7 in x 10 ft 11 in	3.89 x 3.68 m	12 ft 9 in x 12 ft 1 in
Outrigger footprint (l/w) (Narrow/RT)	_____	_____	_____	_____
H Corner access*** (Standard)	1.02 m	3 ft 4 in	1.12 m	3 ft 8 in
Corner access*** (Narrow/RT)	_____	_____	_____	_____
I J Wall access front/side (Standard)	1.02 x 1.32 m	3 ft 4 in x 4 ft 4 in	1.12/1.52 m	3 ft 8 in/5 ft
Wall access front/side (Narrow/RT)	_____	_____	_____	_____
Platform Dimensions: (l/w/h)				
Standard	0.69 x 0.66 x 1.14 m	27 x 26 x 44.75 in	0.69 x 0.66 x 1.14 m	27 x 26 x 44.75 in
Gated standard	0.69 x 0.66 x 1.14 m	27 x 26 x 44.75 in	0.69 x 0.66 x 1.14 m	27 x 26 x 44.75 in
Gated ultra narrow	0.56 x 0.46 x 1.14 m	22 x 18 x 44.75 in	0.56 x 0.46 x 1.14 m	22 x 18 x 44.75 in
Gated narrow	0.66 x 0.51 x 1.14 m	26 x 20 x 44.75 in	0.66 x 0.51 x 1.14 m	26 x 20 x 44.75 in
Standard fiberglass	0.74 x 0.67 x 1.10 m	29 x 26.5 x 43.5 in	0.74 x 0.67 x 1.10 m	29 x 26.5 x 43.5 in
Narrow fiberglass	0.66 x 0.56 x 1.10 m	26 x 22 x 43.5 in	0.66 x 0.56 x 1.10 m	26 x 22 x 43.5 in

POWER		
Power source - AC or DC models	12V DC / 220/50-60 Hz AC	12V DC / 220/50-60 Hz AC

WEIGHT				
AC models (Standard)	461 kg	1,017 lbs	472 kg	1,040 lbs
AC models (Narrow/RT)	_____	_____	_____	_____
DC models (Standard)	502 kg	1,107 lbs	513 kg	1,130 lbs
DC models (Narrow/RT)	_____	_____	_____	_____
Air motor (Standard)	_____	_____	_____	_____
Air motor (Narrow/RT)	_____	_____	_____	_____

STANDARDS COMPLIANCE	ANSI A92.3, CSA B354.1, CE Compliance, AS 1418.10
----------------------	---



Genie Australia – Toll free number 1800 788 633

Brisbane (Head Office)
33 Kimberley Street
Darra QLD 4076

Sydney
74 Glendenning Road
Glendenning NSW 2761

Melbourne
374 Hammond Road
Dandenong VIC 3175

Perth
126 Sheffield Road
Welshpool WA 6106

Genie United States

Distributed by:

18340 NE 76th Street
P.O. Box 97030
Redmond, Washington
98073-9730

Features

STANDARD FEATURES

MEASUREMENTS

AWP™-20S

- 8.12 m (26 ft 1 in) working height
- 6.12 m (20 ft 1 in) platform height
- 0.74 m (2 ft 5 in) standard base width
- 0.56 m (1 ft 10 in) narrow base width
- 0.76 m (2 ft 6 in) RT base width
- Up to 159 kg (350 lbs) lift capacity

AWP™-25S

- 9.57 m (30 ft 10 in) working height
- 7.57 m (24 ft 10 in) platform height
- 0.74 m (2 ft 5 in) standard base width
- 0.56 m (1 ft 10 in) narrow base width
- 0.76 m (2 ft 6 in) RT base width
- Up to 159 kg (350 lbs) lift capacity

AWP™-30S

- 11.02 m (35 ft 6 in) working height
- 9.02 m (29 ft 6 in) platform height
- 0.74 m (2 ft 5 in) standard base width
- 0.56 m (1 ft 10 in) narrow base width
- 0.76 m (2 ft 6 in) RT base width
- Up to 159 kg (350 lbs) lift capacity

AWP™-36S

- 13.10 m (42 ft 5 in) working height
- 11.10 m (36 ft 5 in) platform height
- 0.74 m (2 ft 5 in) standard base width
- Up to 159 kg (350 lbs) lift capacity

AWP™-40S

- 14.29 m (46 ft 4 in) working height
- 12.29 m (40 ft 4 in) platform height
- 0.74 m (2 ft 5 in) standard base width
- Up to 136 kg (300 lbs) lift capacity

STANDARD FEATURES cont.

PRODUCTIVITY

- Standard base
- Sliding mid-rail standard platform
- Auxiliary platform lowering
- Most rigid mast in the industry
- Rocker base system for manoeuvrability
- Tilt back frame (standard on AWP-36, -40)
- Easily rolls through standard doorways
- AC power to platform
- Dual activated up/down switch
- Small outrigger footprints
- Outrigger storage sockets
- Easy loading in utes
- Tie down attachment points
- Overhead crane attachment point
- Wide forklift pockets
- Rear access forklift pocket
- LED lights confirm proper set-up
- Operational warning light and descent alarm package

POWER

- AC power 220 V / 50-60 Hz
- DC power 230V / 50 Hz with worldwide automatic "smart" charging system

OPTIONS & ACCESSORIES

PRODUCTIVITY

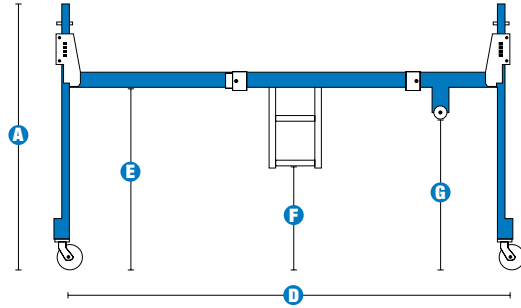
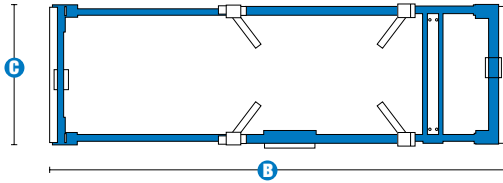
- Gated standard platform
- Gated ultra narrow platform
- Gated narrow platform
- Standard fiberglass platform
- Narrow fiberglass platform
- Narrow base conversion kit (AWP-20, -25, -30 RT only)
- RT conversion kit (AWP-20, -25, -30 Narrow only)
- Tilt-back frame (option on AWP-20, -25, -30 only)
- Tool tray
- Fluorescent tube caddy
- Platform locating laser light

POWER OPTIONS

- Air motor power 1.1 kW (1.5 hp) (AWP-30 only)



Specifications



MEASUREMENTS	AWP™-20S		AWP™-25S		AWP™-30S	
	Metric	US	Metric	US	Metric	US
A Height	1.78 m	5 ft 10 in	1.78 m	5 ft 10 in	1.78 m	5 ft 10 in
B Length (adjustable)	2.77 – 3.25 m	9 ft 1 in – 10 ft 8 in	2.77 – 3.25 m	9 ft 1 in – 10 ft 8 in	2.77 – 3.25 m	9 ft 1 in – 10 ft 8 in
C Width	0.97 m	3 ft 2 in	0.97 m	3 ft 2 in	0.97 m	3 ft 2 in
Width with required outriggers	1.75 m	5 ft 9 in	2.05 m	6 ft 9 in	2.31 m	7 ft 7 in
D Wheelbase (adjustable)	2.64 – 3.25 m	8 ft 8 in – 10 ft 8 in	2.64 – 3.25 m	8 ft 8 in – 10 ft 8 in	2.64 – 3.25 m	8 ft 8 in – 10 ft 8 in
E Straddle clearance	1.22 m	4 ft	1.22 m	4 ft	1.22 m	4 ft
F Height to ladder	0.69 m	2 ft 3 in	0.69 m	2 ft 3 in	0.69 m	2 ft 3 in
G Height to fixed wheel	1.02 m	3 ft 4 in	1.02 m	3 ft 4 in	1.02 m	3 ft 4 in
Storage dimensions (l/w/d)	2.03 x 0.94 x 0.61 m	80 x 37 x 24 in	2.03 x 0.94 x 0.61 m	80 x 37 x 24 in	2.03 x 0.94 x 0.61 m	80 x 37 x 24 in
WEIGHT						
	263 kg	580 lbs	263 kg	580 lbs	263 kg	580 lbs

MEASUREMENTS	AWP™-36S		AWP™-40S	
	Metric	US	Metric	US
A Height	1.78 m	5 ft 10 in	1.78 m	5 ft 10 in
B Length (adjustable)	2.77 – 3.25 m	9 ft 1 in – 10 ft 8 in	2.77 – 3.25 m	9 ft 1 in – 10 ft 8 in
C Width	0.97 m	3 ft 2 in	0.97 m	3 ft 2 in
Width with required outriggers	2.57 m	8 ft 5 in	2.77 m	9 ft 1 in
D Wheelbase (adjustable)	2.64 – 3.25 m	8 ft 8 in – 10 ft 8 in	2.64 – 3.25 m	8 ft 8 in – 10 ft 8 in
E Straddle clearance	1.22 m	4 ft	1.22 m	4 ft
F Height to ladder	0.69 m	2 ft 3 in	0.69 m	2 ft 3 in
G Height to fixed wheel	1.02 m	3 ft 4 in	1.02 m	3 ft 4 in
Storage dimensions (l/w/d)	2.03 x 0.94 x 0.61 m	80 x 37 x 24 in	2.03 x 0.94 x 0.61 m	80 x 37 x 24 in
WEIGHT				
	263 kg	580 lbs	263kg	580 lbs

Genie Australia – Toll free number 1800 788 633

Brisbane (Head Office)
33 Kimberley Street
Darra QLD 4076

Sydney
74 Glendenning Road
Glendenning NSW 2761

Melbourne
374 Hammond Road
Dandenong VIC 3175

Perth
126 Sheffield Road
Welshpool WA 6106

Genie United States Distributed by:

18340 NE 76th Street
P.O. Box 97030
Redmond, Washington
98073-9730

Effective Date: April 2012. Product specifications and prices are subject to change without notice or obligation. The photographs and/or drawings in this document are for illustrative purposes only. Refer to the appropriate Operators' Manual for instructions on the proper use of this equipment. Failure to follow the Operators Manual when using our equipment or to otherwise act irresponsibly may result in serious injury or death. The only warranty applicable to our equipment is the standard written warranty applicable to the particular product and sale and we make no other warranty, express or implied. Products and services listed may be trademarks, service marks, or trade names of Terex Corporation, Terex South Dakota, Inc., and/or their subsidiaries in the USA and other countries. All rights reserved. Terex is a registered trademark of Terex Corporation in the USA and many other countries. Genie is a registered trademark of Terex South Dakota, Inc. in the USA and many other countries. ©2009 Terex Corporation.